

PLEASE CHECK WWW.MOLEX.COM FOR LATEST PART INFORMATION

Part Number: **0751351009**
Status: **Active**
Overview: dms59
Description: 1.27mm (.050") Pitch DMS-59® Cable Plug Subassembly, Shielded

Documents:

[3D Model](#)
[Packaging Specification \(PDF\)](#)
[Drawing \(PDF\)](#)
[Product Specification PS-75134-001 \(PDF\)](#)
[RoHS Certificate of Compliance \(PDF\)](#)

General

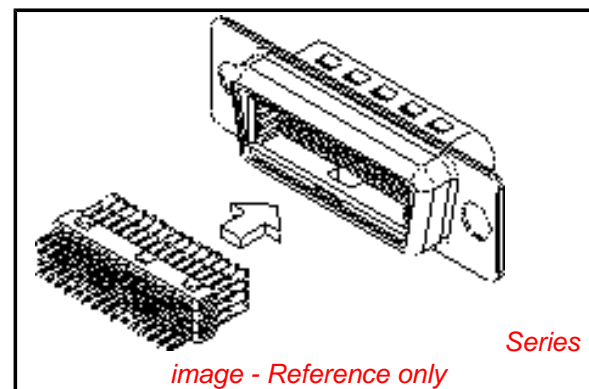
Product Family	I/O Connectors
Series	<u>75135</u>
Application	Wire-to-Board
Comments	Insert-molded plug terminal sticks supplied separately (see 70984-1098 and 70984-1099), Bright Nickel Front Shell Plating
Component Type	Plug, Subassembly
Overview	<u>dms59</u>
Product Name	DMS59®
Type	N/A

Physical

Boot Color	N/A
Circuits (Loaded)	N/A
Circuits (maximum)	59
Color - Resin	Natural
Durability (mating cycles max)	500
Gender	Plug
Keying to Mating Part	Yes
Lock to Mating Part	Yes
Material - Metal	Aluminum
Material - Plating Mating	n/a
Material - Resin	High Temperature Thermoplastic
Number of Rows	4
Orientation	Vertical
PCB Locator	No
PCB Retention	None
Packaging Type	Tray
Panel Mount	No
Pitch - Mating Interface (in)	0.050 In
Pitch - Mating Interface (mm)	1.27 mm
Pitch - Term. Interface (in)	0.050 In
Pitch - Term. Interface (mm)	1.27 mm
Polarized to Mating Part	Yes
Ports	1
Surface Mount Compatible (SMC)	Yes
Temperature Range - Operating	-20°C to +85°C
Termination Interface: Style	N/A
Waterproof / Dustproof	No
Wire Size AWG	28, 30, 32, 34, 36

Electrical

Current - Maximum per Contact	3A
Grounding to Panel	N/A
Shield Type	Full Shield



EU RoHS

ELV and RoHS Compliant
REACH SVHC
 Not Reviewed
Halogen-Free Status
 Not Reviewed

China RoHS



Need more information on product environmental compliance?

Email productcompliance@molex.com
 For a multiple part number RoHS Certificate of Compliance, [click here](#)

Please visit the [Contact Us](#) section for any non-product compliance questions.

Search Parts in this Series

75135Series

Mates With

75134

Use With

70984 Plug Terminal Sticks

Shielded
Voltage - Maximum

Yes
40V AC (RMS)

Material Info

Reference - Drawing Numbers

Packaging Specification
Product Specification
Sales Drawing

PK-70873-0236
PS-75134-001
SD-75135-001

This document was generated on 06/01/2010

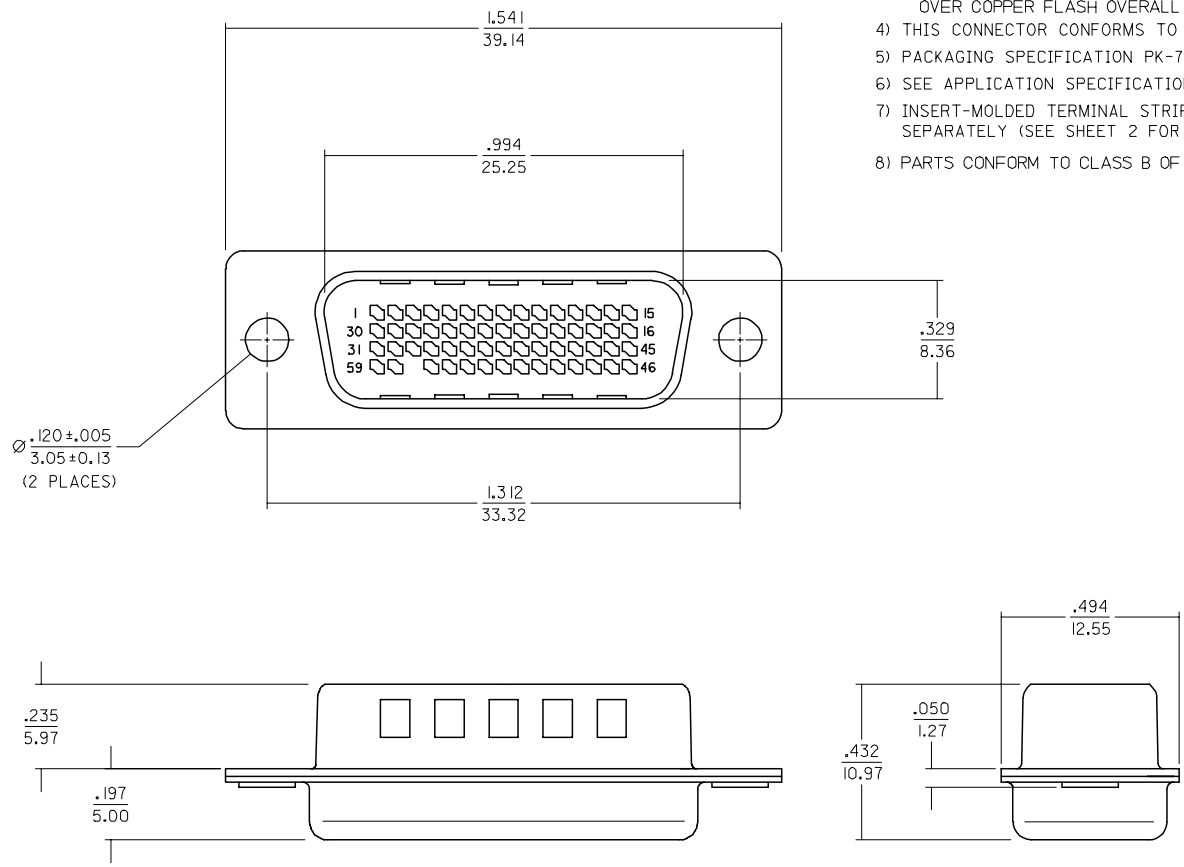
PLEASE CHECK WWW.MOLEX.COM FOR LATEST PART INFORMATION

13 12 11 10 9 8 7 6 5 4 3 2 1

ITEM NUMBER	PRODUCT DESCRIPTION	FRONT SHELL PLATING
75135-1000	DMS-59 I/O PLUG CONNECTOR	BRIGHT TIN
75135-1009	DMS-59 I/O PLUG CONNECTOR	BRIGHT NICKEL

NOTES:

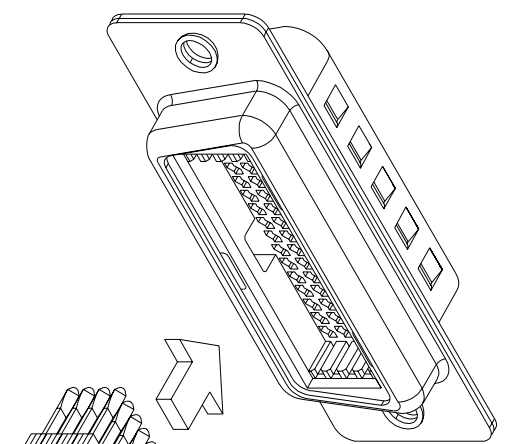
- 1) PLASTIC HOUSING:
GLASS FILLED LCP (LIQUID CRYSTAL POLYMER), UL94 V-0, COLOR: NATURAL.
- 2) FRONT SHELL:
DEEP DRAWN STEEL:
PLATING: SEE TABLE
BRIGHT TIN: 150-250 MICRONS BRIGHT TIN OVER 50-150 MICRONS NICKEL OVER COPPER FLASH OVERALL (OPTIONAL).
BRIGHT NICKEL: 100-175 MICRONS BRIGHT NICKEL OVER 50 MICRONS MAXIMUM COPPER OVERALL.
- 3) BACK SHELL:
DEEP DRAWN STEEL:
PLATING: 150-250 MICRONS BRIGHT TIN OVER 50-150 MICRONS NICKEL OVER COPPER FLASH OVERALL (OPTIONAL).
- 4) THIS CONNECTOR CONFORMS TO PRODUCT SPECIFICATION PS-75134-001.
- 5) PACKAGING SPECIFICATION PK-70873-0236 APPLIES.
- 6) SEE APPLICATION SPECIFICATION PS-70929 FOR ASSEMBLY AND TERMINATION DETAILS.
- 7) INSERT-MOLDED TERMINAL STRIP ASSEMBLIES ARE SUPPLIED SEPARATELY (SEE SHEET 2 FOR ORDERING INFORMATION).
- 8) PARTS CONFORM TO CLASS B OF COSMETIC SPECIFICATION PS-45499-002.



2	A
1	D
SHT	REV

ADD COSMETIC SPEC FC NO: UCP2007-2622 DRW: DMORGAN 2007/09/13 CHK: MSIBARRA 2007/09/13 APPR: SMILLER 2007/09/13 REV:	QUALITY SYMBOLS ▽=0 ▽=0	GENERAL TOLERANCES (UNLESS SPECIFIED) <table border="1"> <thead> <tr> <th></th> <th>mm</th> <th>INCH</th> </tr> </thead> <tbody> <tr> <td>4 PLACES</td> <td>± .10</td> <td>± .004</td> </tr> <tr> <td>3 PLACES</td> <td>± .15</td> <td>± .005</td> </tr> <tr> <td>2 PLACES</td> <td>± .25</td> <td>± .010</td> </tr> <tr> <td>1 PLACE</td> <td>± .38</td> <td>± .015</td> </tr> </tbody> </table> ANGULAR ±1/2°		mm	INCH	4 PLACES	± .10	± .004	3 PLACES	± .15	± .005	2 PLACES	± .25	± .010	1 PLACE	± .38	± .015	DIMENSION STYLE IN/MM DRAWN BY: DMORGAN DATE: 2002/10/17 CHECKED BY: BBARKER DATE: 2002/10/17 APPROVED BY: SMILLER DATE: 2002/10/17 MATERIAL NO.	SCALE: 4:1 DESIGN UNITS: INCH THIRD ANGLE PROJECTION	TITLE: SALES DMS-59 I/O PLUG LFH .050/1.27 PITCH 59 CKT CABLE ASSY MOLEX INCORPORATED DOCUMENT NO. SD-75135-001 SHEET NO. 1 OF 2
		mm	INCH																	
	4 PLACES	± .10	± .004																	
	3 PLACES	± .15	± .005																	
2 PLACES	± .25	± .010																		
1 PLACE	± .38	± .015																		
DRAFT WHERE APPLICABLE MUST REMAIN WITHIN DIMENSIONS		SEE TABLE	THIS DRAWING CONTAINS INFORMATION THAT IS PROPRIETARY TO MOLEX INCORPORATED AND SHOULD NOT BE USED WITHOUT WRITTEN PERMISSION																	
		SIZE: C																		

12 11 10 9 8 7 6 5 4 3 2 1



PLUG CONNECTOR
75135-1000

70984-10**
(15 CIRCUIT STICK)
(3 REQUIRED PER ASSEMBLY)

INSERT MOLDED TERMINAL STICKS
SUPPLIED SEPARATELY
SEE SALES DRAWING SDA-70984-100* FOR 70984-10**
SEE SALES DRAWING SD-70984-100 FOR 70984-109*
NOTE: STICKS SHOWN WITH CARRIER REMOVED

70984-109*
(14 CIRCUIT STICK)
(1 REQUIRED PER ASSEMBLY)

REV	DESCRIPTION	QUALITY SYMBOLS	GENERAL TOLERANCES: (UNLESS SPECIFIED)	SCALE	DESIGN UNITS	THIRD ANGLE PROJECTION	DIMENSIONS:	SHT	REV
A	INITIAL RELEASE EC No. UCP2003-0543 DRWN:DMORGAN 02/10/17 CHK:BBARKER 02/10/17 APPR:SMILLER 02/10/17	MAJOR = CRITICAL = C/ =	MM INCH ±0.1 ±.005 ±0.125 ±.005 ±0.38 ±.015 ANGULAR: ±1/2°	1:1	MM <input checked="" type="checkbox"/> INCH	<input checked="" type="checkbox"/>	MM INCH MM INCH MM ONLY CAD ONLY	2	2
DRAWN BY & DATE: DMORGAN 02/10/17		CHECKED BY & DATE: BBARKER 02/10/17		APPROVED BY & DATE: SMILLER 02/10/17		CAD FILENAME:		MATERIAL NO. MOLEX INCORPORATED	
TITLE: SALES DMS-59 1/0 PLUG		LFH .050/1.27 PITCH		59 CKT CABLE ASSY		SEE CHART		DRAWING NO. SD-75135-001	
DRAFT WHERE APPLICABLE MUST REMAIN WITHIN DIMENSIONS		THIS DRAWING CONTAINS INFORMATION THAT IS PROPRIETARY TO MOLEX INCORPORATED AND SHOULD NOT BE USED WITHOUT WRITTEN PERMISSION.						SHEET NO. 2	
								SIZE C	